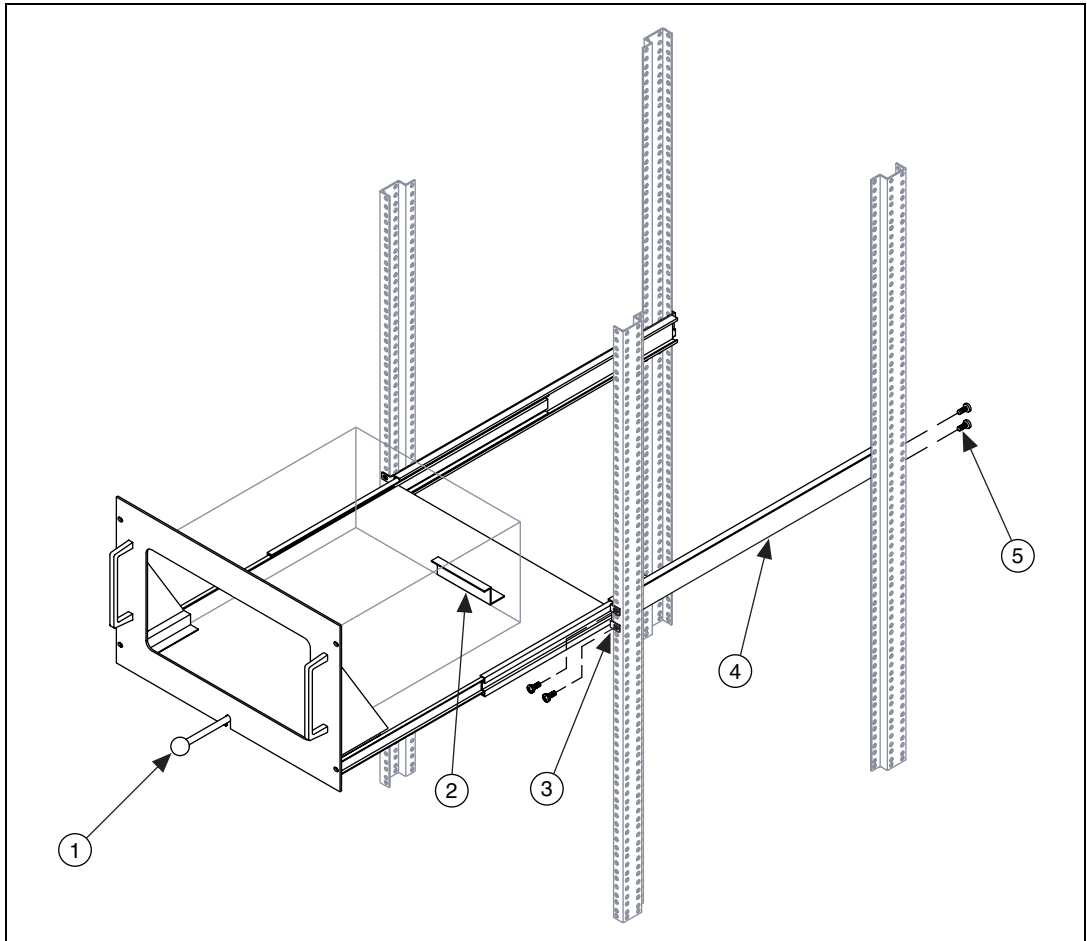


## PXI-1025 RACK MOUNT KIT



**Caution** Rack mount kit metal parts have sharp edges. Use caution when handling and installing the kit.



1 Keyboard Support Rod  
2 Rear Clip

3 Clip Nuts (Qty. 8)  
4 Slide Rail (Qty. 2)

5 Screws (Qty. 8)

1. Install the left and right slide rails to the front and rear cabinet rails. You can use the hardware provided, depending on the type of VXI cabinet rails.
2. Extend the rack mount from the cabinet and place the PXI-1025 chassis on the tray against the front face plate. Make sure that the rear clip secures the chassis. Return the rack mount to its nonextended position in the cabinet.



**Note** Depending on your application, you may want to secure the chassis/rack mount tray to your VXI cabinet using the rack mount face plate.

